

音频矩阵开关 – KSA0731

Audio (0.02 – 20 kHz)



TECHNICAL DATA @ 25°C

Part No.	1500037
Number of inputs	16
Number of outputs	16
Architecture	Non-blocking, full-fan out Summing, full-fan in Switching: Semiconductor switches
Frequency range	0.02 – 20 kHz
Gain [dB]	0 ± 1
Gain Control	
IN #01-16	± 20 dB
OUT #01-16	± 20 dB
Loading effect [dB]	1 max.
Distortion [%]	0.5 max. (0dBm, 1kHz)
Isolation [dB]	
in/in	70 min.
in/out	65 min.
out/in	70 min.
...out/out	70 min.
Crosstalk [dB]	70 min.
Input level [Vpp]	4 max.
Switching speed [ms]	20 max.
Impedance [Ω]	
IN#01-08	600
IN#09-16	32, 50, 400, 600, 1k, 2k2, 100k (selectable)
...OUT#01-08	600
OUT#09-16	32, 50, 400, 600, 1k, 2k2, 100k (selectable)

Connectors	
IN #01-08	BNO-f (balanced)
IN #09-16	BNC-f (unbalanced)
...OUT #01-08	BNO-f (balanced)
OUT #09-16	BNC-f (unbalanced)
Additional function	
Push-To-Talk	8x SPDT relays
Contact rating	Nominal switching capacity (resistive load): 2 A 30 V DC, 0.5 A 125 V AC Max. switching power (resistive load): 60 W, 62.5 VA Max. switching voltage: 220 V DC, 125 V AC Max. switching current: 2 A
Connector	D-Sub, female, 25 poles
Local control	LC display and keyboard, front panel
Remote control	RJ45 Ethernet port 10/100 Base T. TCP/IP & UDP, GUI (browser interface) RS-232/422/485 interface (selectable)
Power supply	20-30 V DC
Power connector	XLR, 3-pin plug
Power consumption	0.6A @ 24V DC



Temperature range	
Operating	0 ... +40°C
Storage	-10 ... +60°C
Colour:	Front panel: RAL7032
Attached hardware	Power cord Operating manual
Dimensions (wxhxd)	483mm x 89mm x 380mm (19" drawer, 2U)
Weight [kg]	5.5

Features:

- Balanced and unbalanced in and out signals
- Permanent monitoring of internal temperature, modules and switch positions
- Selectable impedances

STANDARDS / APPROVALS

- MIL-STD-461F
- ✓ RE102 radiated emission
- ✓ RS103 radiated susceptibility
- ✓ CE102 conducted emission
- ✓ CS101 conducted susceptibility
- ✓ CS114 conducted susceptibility
- ✓ CS115 conducted susceptibility
- ✓ CS116 conducted susceptibility
- MIL-STD-810F
- ✓ Method 500.4 low pressure, procedure II
- ✓ Method 501.4 high temperature, procedure II
- ✓ Method 502.4 low temperature, procedure II
- ✓ Method 507.4 humidity, 240h
- ✓ Method 514.5 vibration
- ✓ Method 516.5 shock

OPTIONS

The following options are available:

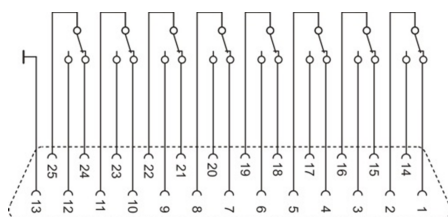
- 115/230 VAC power supply
- Other impedances
- Remote control software
- SNMP (protocol version 1)

DESCRIPTION

novotronic Audio Matrix Switches are designed to route either balanced or unbalanced audio signals. The KSA0731 provides routing of 16 audio sources to a maximum of 16 zones, and includes a wide variety of features. The Matrix Switch completely eliminates the need to constantly move around audio input and output cables.

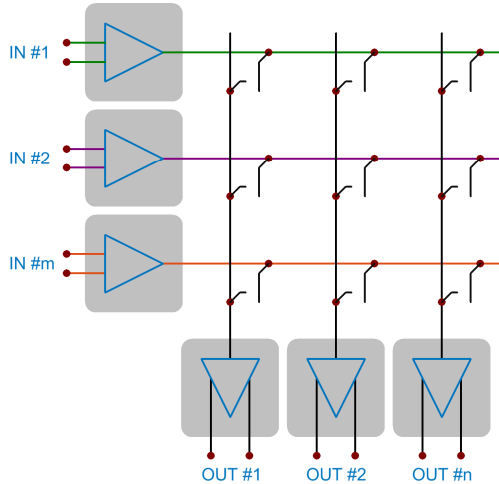
Several ins and outs offer impedance switching. As a result different sources and loads can be used. Configuration is achieved by using the internal GUI.

The KSA0731 requires 20-30VDC power to operate. The system supports comes with an Ethernet control interface, allowing setup flexibility and easy remote control. LCD and keyboard feature a local control. The device features a Push-To-Talk (PTT) function. Therefore 8 dry contacts (SPDT) are available. Each contact can be managed via LAN or manual control.



PTT – D-Sub connector

The KSA0731 was developed for mobile use in vehicles.



Typical m x n Matrix Switch

APPLICATIONS

- Military intercommunication in mobile platforms
- Broadcast studio signal switching
- Test laboratories

ABOUT US

novotronic is a Germany-based electronics engineering company. **novotronic** specialises in meeting the needs of government and defence, telecommunication, broadcast and aerospace. We have about 25 years experience producing state of the art technology for your applications.

OUR SKILLS

novotronic develops and manufactures technically sophisticated products. As a **certified aerospace and defence company novotronic** operates a quality management system in accordance with ISO 9001:2015 and EN 9100:2018 (equivalent to AS 9100D and JISQ 9100:2016 including ISO 9001:2015).



关注测试专家



hkaco.com