

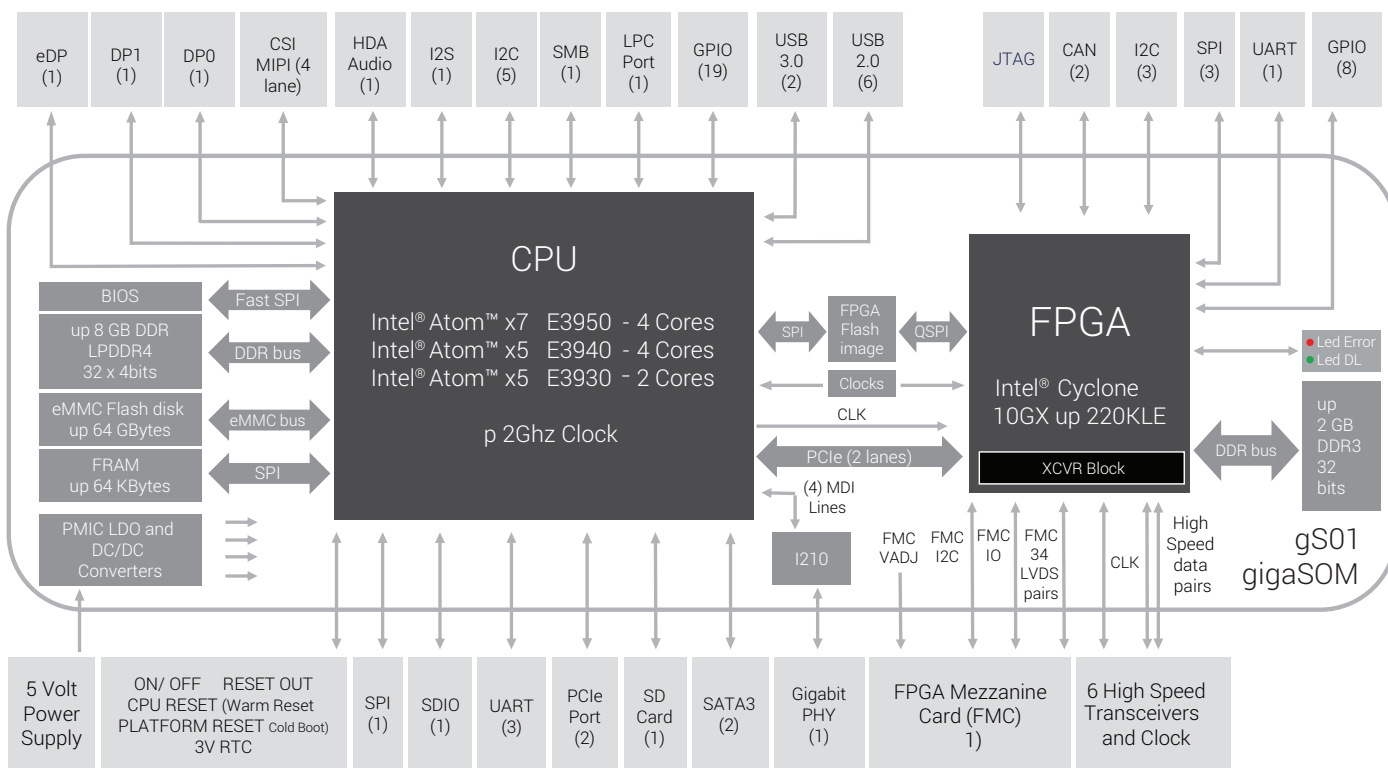
gigaSOM gS01 - Technical Data



GigaSOM gS01 is highly innovative, high performance very efficient, ultra compact SOM, based at Atom E39xx Intel® CPU cores and Intel® Cyclone 10 GX FPGA.

Dimensions	81,6 x 54 x 4,9 mm
Temperature range	-40°C to +85°C
Power supply	5V,+ 5%, current (TBD)
CPU	Intel® Atom E39XX Quad or Dual cores
FPGA	Intel® Cyclone 10 GX up to 220 KLE
DDR	LPDDR4 up to 8 Gbytes for CPU and DDR3 up to 2 GBytes for FPGA
Flash memory	Up to 64 Gbytes eMMC Flash for CPU, 1 Gbytes QSPI Flash for FPGA
FRAM	64 Kbytes via CPU side
Video out interfaces	eDP, DP0 and DP1 via CPU side
Video in interfaces	CSI MIPI via CPU side (4 lanes)
Audio	HDA and I2S via CPU side
CPU high speed interfaces	6 (USB 2.0), 2 (USB 3.0), 2 (SATA3), 1 (Gigabit Ethernet), PCIe (1 lane), PCIe (2 lane)
CPU low speed interfaces	SMB bus, 5 (I2C), 3 (UART), SPI, LPC, SDIO, SD card, GPIO
FPGA high speed interfaces	34 LVDS pairs plus six 10Gb transceivers (support for FMC LPC and LPC+)
FPGA low speed interfaces	2 (CAN), 3 (SPI), 2 (I2C), 1 (UART), 1 (GPIO)
Interface CPU-FPGA	Dual Lane Gen 2 PCIe
FPGA image	Configurable via CPU

Software configurable. Not all selections can be combined



Ordering Information

Model	Part Number	Description
gS01-0001	+GS01-0001	Intel® Atom E3930 - 4GB LPDDR4 - 32GB Flash Disk - Operating Temp. -40 to +85°C
gS01-0002	+GS01-0002	Intel® Atom E3940 - 8GB LPDDR4 - 64GB Flash Disk - Operating Temp. -40 to +85°C
gS01-0003	+GS01-0003	Intel® Atom E3930 - 4GB LPDDR4 - 32GB Flash Disk - Cyclone 10GX 85KLE - Operating Temp. -40 to +85°C
gS01-0004	+GS01-0004	Intel® Atom E3940 - 8GB LPDDR4 - 64GB Flash Disk - Cyclone 10GX 220KLE - Operating Temp. -40 to +85°C
gS01 Dev. Kit	+EE16EK-0011	gigaSOM gS01 Development Kit

© 2019 EXOR International S.p.A. - Subject to change without notice



hkaco.com



关注我们

需要详细信息? 请通过sales@hkaco.com联系我们 | 电话: 400-999-3848
 办事处: 广州 | 北京 | 上海 | 深圳 | 西安 | 武汉 | 成都 | 沈阳 | 香港 | 台湾 | 美国