

eTOP-MON1205T1 Tech-Note

12.1" IP65 Industrial 4:3 XGA LCD Flush Touch Monitor

- IP65 compliant plastic front bezel with flush panel by 5-wire touch screen
- Dual display input interface: analog VGA/DVI-D/DisplayPort
- Shares identical appearance with EPC series
- Dual touch screen interface: RS232 and USB
- Ultra slim in depth
- OSD multilanguage function



Highlights

12.1" 4:3 LCD display eTOP-MON1205T1 is based on a 5-wire resistive touch screen. It has 500 nits brightness and can support resolutions up to 1024 x 768. eTOP-MON1205T1 is ideal for space-critical environments where systems and displays are kept apart. In addition, MON1205T1 adopts a flush panel design and has IP65 front panel.

eTOP-MON1205T1 provides prevailing video interfaces: VGA, DVI and DisplayPort supporting both digital and analog signals; touch screen can be connected with RS232 or USB ports. Moreover, eTOP-MON1205T1 supports 12~24VDC power input and offers panel mount and VESA mount, allowing users to choose the mounting method that meets their situation. eTOP-MON1205T1 is the best solution for eCC fanless computer and EPC panel PC when a second display is required.



hkaco.com



关注我们

eTOP-MON1205T1 Technical Data



Panel

- LCD size: 12.1", 4:3
- Resolution: XGA 1024 x 768
- Luminance: 500cd/m²
- Contrast ratio: 700
- LCD color: 16.7M
- Viewing angle: 70 (U), 70 (D), 80 (L), 80 (R)
- Backlight: LED

Touch Screen

- 5-Wire resistive (flush panel type)
- Light transmission: 80%
- Interface: USB and RS232



Rear I/O

- Touch screen interface port: RS-232 (1 x DB9)/USB type A
- Video port: VGA (1 x DB15)/DVI-D (1 x DVI-I connector)/DisplayPort
- DC power input connector: 3-pin Phoenix terminal Blocks

OSD Function

- OSD keypad
- Multilanguage OSD

Mechanical & Environment

- Color: Pantone black and black silver chassis box
 - IP protection: IP65 front
 - Mounting: panel/wall/stand/VESA 100mm x 100mm
 - Power
- Power input: 12V~24VDC

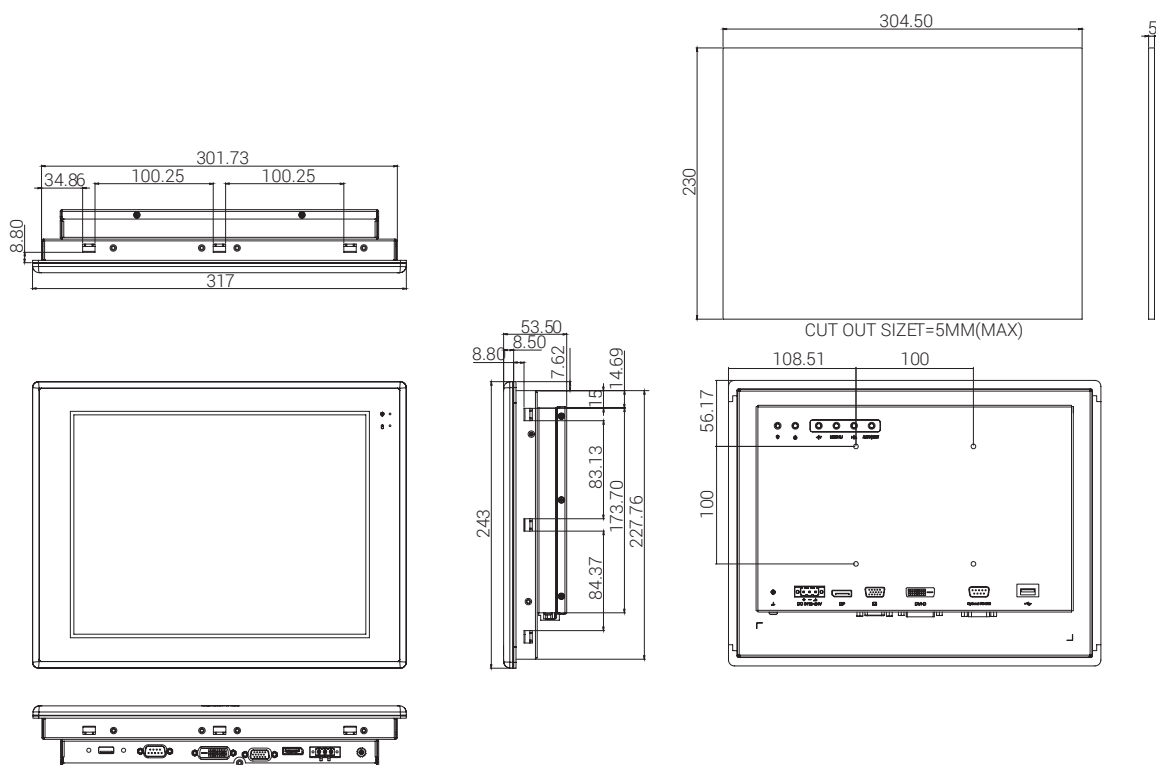


Power adapter: optional AC to DC power adapter (+12V, 60W)

- Vibration
IEC 68 2-64
2Grms @ sine, 5~500Hz, 1hr/axis (operating)
2.2Grms @ random condition, 5~500Hz, 0.5hr/axis (non-operating)
- Shock
IEC 68 2-27
20G@wall mount, half sine, 11ms
Operating temperature: -5°C~50°C
Storage temperature: -20°C~75°C
- Operating humidity: 10%~90% relative humidity, non-condensing
- Dimension: 317 x 243 x 53.5mm
- Weight: 2.8 kg

Certifications

- CE approval
- FCC Class B



Ordering Information

Model	Part Number	Description
eTOP-MON1205T1	+73MON1205T1	12.1" IP65 Industrial 4:3 XGA LCD Flush Touch Monitor